

Dedicated Micros UK
11 Oak Street, Swinton,
Manchester,
M27 4FL UK
Tel: ++44 (0) 161 727 3200
Fax: ++44 (0) 161 727 3300

Dedicated Micros USA
3800 Concorde Parkway,
Suite 100,
Chantilly,
Virginia 20151
USA
Toll Free: 800 864 7539
Tel: (703) 904-7738
Fax: (703) 904-7743

Dedicated Micros Europe
Neckarstraße 15a,
41836 Hückelhoven,
Germany
Tel: ++49 243 352 580
Fax: ++49 24 33 52 58 10

Dedicated Micros Asia
1 Tannery Road,
#05-04/05 Cencon 1,
Singapore 347719
Tel: ++65 6741 0138
Fax: ++65 6741 0221

Dedicated Micros Australia
5/3 Packard Avenue,
Castle Hill, NSW 2154,
Australia
Tel: ++612 9634 4211
Fax: ++612 9634 4811

Dedicated Micros Malta
UB 2,
San Gwann Ind. Est.,
San Gwann,
Malta
Tel: ++356 21483 673
Fax: ++356 21449 170

E&OE
MI-U-CLOCK/E1-0
© Dedicated Micros October 2002



Wharton 4850 Clock Interface Module Installation Guide.



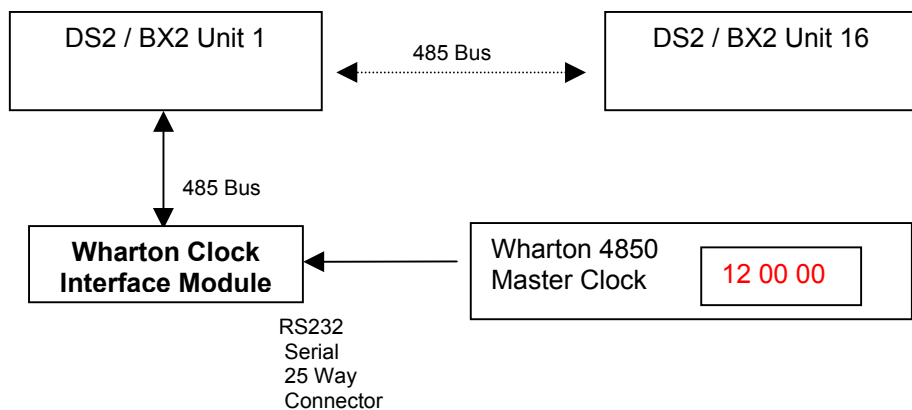
Introduction

The Wharton 4850 Master Clock (sold separately) offers accurate timekeeping through its high stability, internal crystal oscillator or synchronisation via optional receivers to GPS satellite transmitters or DCF and MSF terrestrial radio time code transmitters.

The Dedicated Micros Wharton Clock Interface Module connects to the Wharton 4850 Master Clock - in order to allow highly accurate time synchronisation of the D4, DS2 and BX2 products.

The Module uses the RS232 output from the Wharton Master Clock connected to the 485-bus of the D4, DS2 or BX2. Up to 16 DM units can be synchronised simultaneously if connected to each other via their 485-bus ports*.

Connection



* D4 units cannot be connected to other D4, DS2 or BX2 units on a 485 Bus network

Connection Information

Wharton 4850 Master Clock		Clock Interface Module	
9 Way D Type Male Plug		25 Way D Type Female Plug	
Rx	2	3	Tx
Tx	3	2	Rx
GND	5	7	GND

Operation

1. Connect the Clock Module to the Master Clock via the serial RS232 interface (cable not supplied).
2. Connect the Clock Module to the first DS2/BX2 via the DM 485-bus port.
3. Connect any further DS2/BX2 units to each other via their DM 485-bus ports
4. In the 'Time, Date & Language' menu of each DS2/BX2, check in the 'Time & Date Setting' portion of the menu that 'External Clock' is selected. This should occur automatically on successful connection.

Note: The time on the main monitor of the DM units may not update at exactly the same time as the Wharton clock. The reason for this is that the DM unit only checks once every second to see if it needs to update its display, and this check may not synchronize with the actual changeover of the seconds on the clock.

If the clock module fails to detect a time signal from the Wharton Master Clock then the message '485-bus Clock Module reports no Time Signal' will be seen on the main monitor of all DM units. Please check all connections and the Wharton Master Clock.

Clock Setup

Serial Message	Code 01 - Wharton Format 1
Baud Rate -	19200 Baud
Data bits -	8 data bits
Parity -	No parity
Stop bits	1 - stop bits
Serial Repetition	1 serial message every sec.
Serial Advance	50 ms

Further information on set up of the Wharton Master Clock can be found in the *Wharton 4850 Operating and Installation instructions* supplied with the clock, or at www.wharton.co.uk