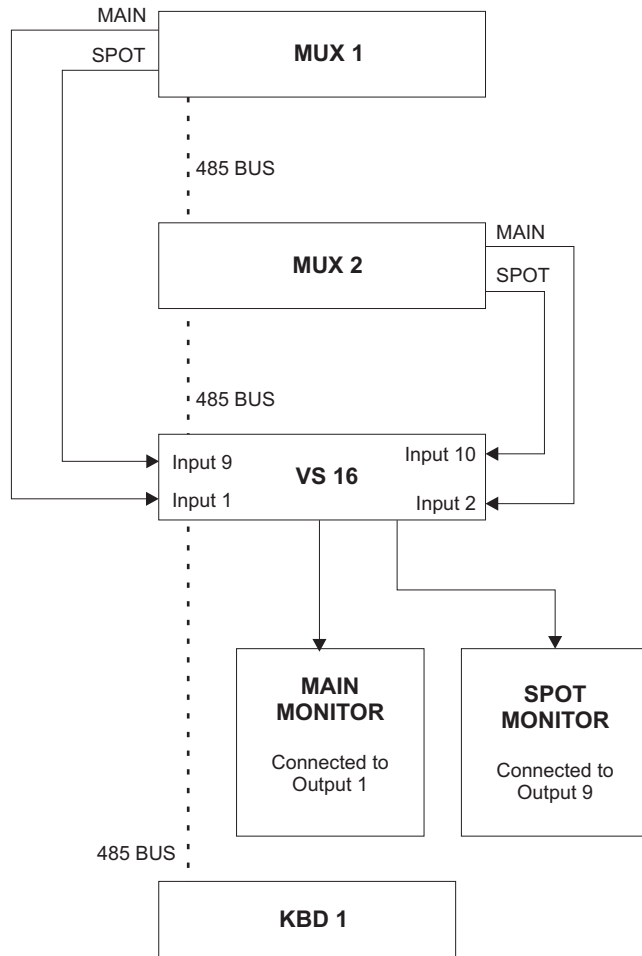


System Diagram



The illustration shows two units being controlled by a single keyboard with switch monitor outputs.

The video will switch over from unit one to unit two when the user presses **<unit select>** then relevant **<cam>** (or **<MPC>**) key on the keyboard. See the multiplexer documentation for further information on selecting different units.



www.dedicatedmicros.com

MI-A-CX02/E3-0

© Dedicated Micros, August 2001

485 bus Video Switcher Installation Guide

8 Machine input with 8 keyboard switched monitor outputs

VS16



Introduction

The 485 bus video switcher allows switching of Main & Spot monitors for independent keyboards using multiple 485 bus Multiplexers (Not for use with Sprite Lite product). Each keyboard position has a dedicated switched main and spot monitor output. The video switcher has facilities to switch up to eight multiplexer monitor outputs to a total of eight keyboard positions.

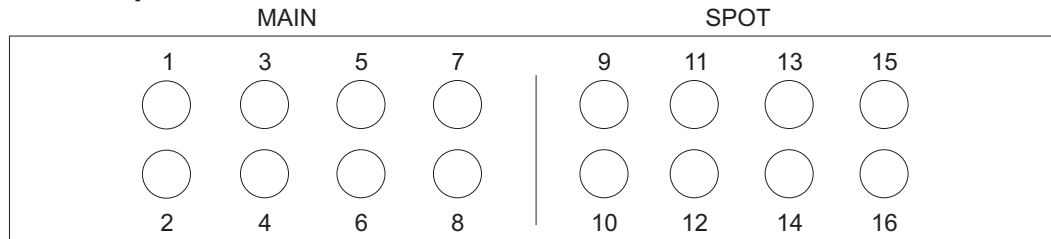
Connection Details

Power connection is provided by the supplied, external 9V d.c power supply via a 5 pin mini DIN connected to the rear of the unit (DM Part Number: VC230/09VDC-GB).

The 485 Video Switcher has to be connected to the 485 bus multiplexers by the supplied MMJ lead. This is via either of the 485 bus ports at the rear of the unit.

Video connection is via industry standard BNC connectors at the rear of the unit.

Video Inputs

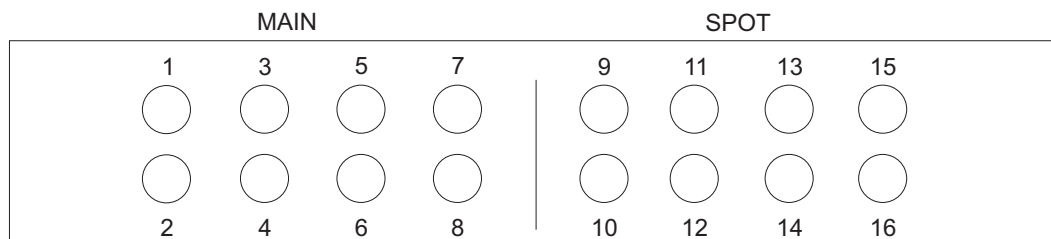


Connect Unit 1's Main monitor video to Input 1 and the Spot monitor video to Input 9. Unit 2's Main monitor video is connected to Input 2 and the Spot monitor is connected to Input 10, etc.

Note: Please refer to multiplexer documentation on how to set the Unit number.

<i>Unit number</i>	<i>MAIN MONITOR Video Input Number</i>	<i>SPOT MONITOR Video Input Number</i>
1	1	9
2	2	10
3	3	11
4	4	12
5	5	13
6	6	14
7	7	15
8	8	16

Video Outputs



Keyboard 1 has a dedicated pair of monitor outputs, main & spot connected to outputs 1 and 9. The outputs will change over to display the relative multiplexers monitor outputs. If the user at keyboard 1 changes Control (Unit Select or MPC) to Multiplexer 2 then the video on KBD1 output will change to

show the correct multiplexers monitors. Keyboard 2 monitor outputs are connected to main & spot monitor outputs 2 and 10, etc. up to keyboard number 8.

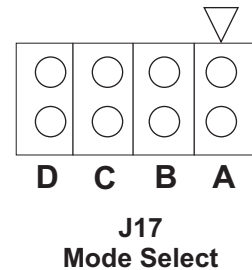
NOTE: Please refer to keyboard documentation on how to set the Keyboard number.

<i>Keyboard number</i>	<i>MAIN MONITOR Video Input Number</i>	<i>SPOT MONITOR Video Input Number</i>
1	1	9
2	2	10
3	3	11
4	4	12
5	5	13
6	6	14
7	7	15
8	8	16

Mode Select Link Settings

There are four links at J17. These are used to select the modes of operation in the video switcher. They should be fitted as follows.

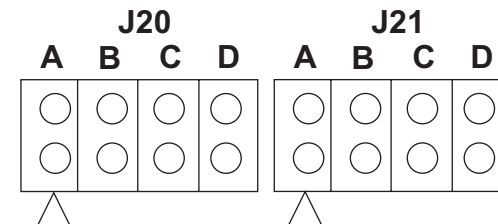
Link	Setting	Function
J17 D	Not Fitted	Keyboard Association Mode
J17 C	Fitted	Banked Switching (Ganged)
J17 B	Not Fitted	Non-Matrix mode
J17 A	Not Fitted	16 input 16 output build
DEFAULT SETTINGS		



Address Link Settings

The video switcher has to be addresses to the first 485 bus keyboard address (032). The link settings are J20 & J21.

Link								Function
J20				J21				Keyboard Address
A	B	C	D	E	F	G	H	
Not Fitted	Not Fitted	Not Fitted	Not Fitted	Not Fitted	Fitted	Not Fitted	Not Fitted	32 (Keyboard 1)
DEFAULT SETTINGS								



If any other video switcher configuration is required please contact your nearest DM Technical Support Department.