

Think GAIA
For Life and the Earth

SANYO

1/3" Colour CCD DSP High-Resolution Camera

VCC-5885P E PAL

DIGITAL

- Super high horizontal resolution of 540 TV lines (typical)
- High sensitivity — minimum illumination of 1.0 lx
- Automatic gain control (ON/OFF)
- A uniquely compact design
- 24V AC and 12 to 15V DC, dual power operation



Enclosed installation in
a 6-inch dome.
Smoked dome also available.

1.0 lux
High Sensitivity

Lens not supplied with camera.

Super-High Resolution
540-TVL

Features

- 1/3-inch CCD image sensor with approx. 470,000 picture elements.
- Super high horizontal resolution of 540 TV lines (typical) for maximum detail and a noticeably sharper, clearer picture.
- High sensitivity for monitoring at a minimum required illumination of 1.0 lx with F1.2 lens (AGC on).
- Built-in DSP (digital signal processing) circuitry delivers superior colour reproduction and reduced noise.
- Backlight compensation (centre-zone photometry system) Luminance measured at centre and automatic lens aperture adjustment enable a clear image even when backlit.
- Automatic gain control
A sliding ON/OFF switch allows you to turn the automatic gain control on or off as required.
- A uniquely compact design
Its extraordinarily compact size [63 (W) x 68 (H) x 51 (D) mm] makes the camera inconspicuous. And it is possible to hide it even more effectively by enclosing it in a clear or smoked 6-inch dome.

Other Features

- Auto-tracing white balance.
- Electronic iris for indoor use with manual or fixed iris lens.
- Internal/Line lock synchronizing system.
- Runs on 24V AC or 12 to 15V DC power sources.

Specifications

Model No.	VCC-5885P E	
Scanning system	PAL Standard 625 Lines, 25 frames/sec.	
Image sensor	1/3" (approx. 4.8 x 3.6 mm) interline transfer method CCD	
Effective picture elements	752 (H) x 582 (V)	
Horizontal resolution	540 TV lines (typical)	
Minimum illumination	1.0 lx (AGC on) at F1.2	
Video output level	1.0 V (p-p) / 75 ohms, composite	
Video S/N ratio	More than 50 dB (AGC off)	
Backlight compensation	ON / OFF — Slide SW (side) ON = Centre-zone photometry system — Slide SW (side) (activated when auto iris lens used)	
White balance	TTL auto tracing white balance	
Gain control	AGC on/off	
Light control	Optical auto iris lens / Electronic iris (indoor use)	
Lens mount	CS mount (top / bottom selectable)	
Flange back	12.5 mm ±0.5 mm adjustment	
Auto iris lens	DC type	
Auto iris output	DC: Drive coil (+, -), Brake (damp) coil (+, -)	
Lens iris level	LEVEL: L to H — VR (side)	
Electronic iris	ON (EI) / OFF (AI) — Slide SW (side)	
Electronic iris range	1.0 to 50,000 lx (with F1.2 lens)	
Synchronizing system	Internal sync / Line lock — Slide SW (side)	
V phase adjustment	LINE PHASE — VR (rear)	
Sockets	Video signal	VIDEO OUT — BNC (rear)
	Auto iris lens	LENS — 4-pin (side)
	Power supply	24V AC, GND — Pushlock terminal x 3 (rear) 12 to 15V DC, GND — Pushlock terminal x 2 (rear)
Operating conditions	Operating	Temperature: -10°C to 50°C [14°F to 122°F], Humidity: within 90% RH
	Storage	Temperature: -20°C to 70°C [-4°F to 158°F], Humidity: within 70% RH
Power requirement	24V AC, 50 Hz / 12 to 15V DC	
Power consumption (approx.)	3.6 W	
Camera mount	1/4" — 20 UNC (top / bottom selectable)	
Dimensions (approx.)	63 (W) x 68 (H) x 51 (D) mm [2.48 (W) x 2.68 (H) x 2.01 (D) in.] (excluding protrusions)	
Weight (approx.)	160 g [5.64 oz] (without lens)	

NOTE: Specifications subject to change without notice.

540 TVL (typical) Cameras for Greater Peace of Mind

DAY NIGHT



VCC-ZM600P
VCC-ZMN600P IP Camera
1/4" Colour CCD DSP
High-resolution Day/Night
AF Zoom Camera

DAY NIGHT



VCC-XZ600P
VCC-XZN600P IP Camera
1/4" Colour CCD DSP
High-resolution Weatherproof
Day/Night AF Zoom Camera



VCC-9685VP
1/4" Colour CCD
Indoor Mini Dome Camera

DAY NIGHT



VCC-4790P E
VCC-4795P E
1/3" Colour CCD DSP
Day/Night Camera

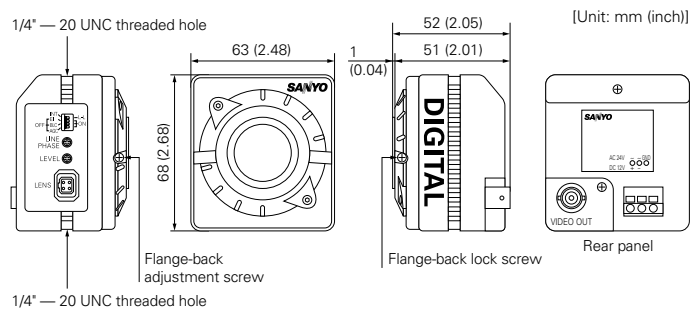


VCC-6580P E
1/3" Colour CCD DSP
High-resolution Camera



VCC-6585P E
1/3" Colour CCD DSP
High-resolution Camera

Dimensions



Caution: Please consult the instruction manual to ensure safe and proper operation of the product.



DI Company of SANYO Electric Co., Ltd. obtained Quality Management System ISO 9001 and Environmental Management System ISO 14001 certifications.

Distributed by:

SANYO

SANYO Electric Co., Ltd.
DI Company
<http://www.sanyosecurity.com>

©2008 SANYO Printed in Japan 2008.1 MA
SMS153