

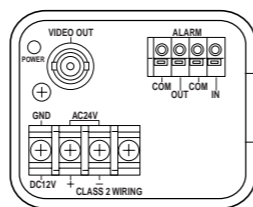
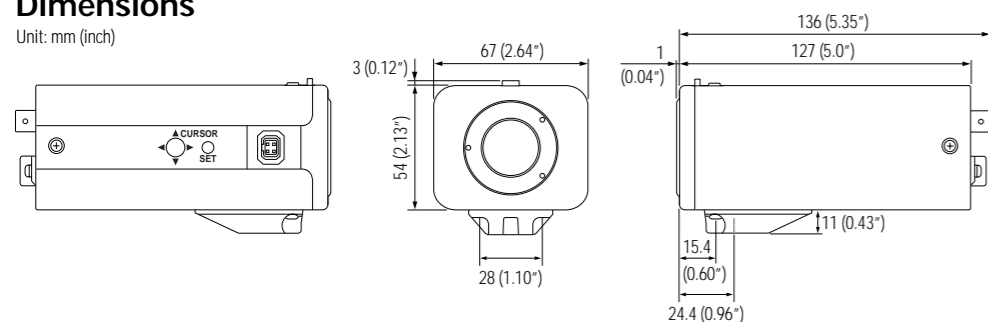
VCC-WD8575P

Specifications

Model No.	VCC-WD8575P
Scanning system	PAL standard (625 lines, 25 frames/sec.)
Image sensor	1/3" interline transfer method CCD
Picture elements	Total: 795 (H) x 596 (V), Effective: 752 (H) x 582 (V)
Horizontal resolution	More than 480 TV lines
Electronic zoom	2.5x
Auto iris lens	DC / VIDEO (adjustable iris level)
Synchronisation method	Internal synchronisation / Line lock (with V phase adjustment)
Minimum illumination	Colour mode
	1.0 lx (GAIN NORM) / 0.5 lx (GAIN HIGH) 0.025 lx (40x electronic sensitivity boost)
[F1.2, 50 IRE] B/W mode	0.05 lx (GAIN NORM) / 0.025 lx (GAIN HIGH) 0.002 lx (40x electronic sensitivity boost)
S/N	More than 50 dB (AGC Off)
Backlight compensation	On (Centre zone / 5 section photometry) / Off
Wide dynamic range	On (adjustable) / Off
Dynamic range	54 dB typical
Electronic shutter	1/50, 1/120, 1/250, 1/500, 1/1000, 1/2000, 1/4000, 1/10000
Electronic sensitivity boost	Auto / Off, works with auto iris, up to 40x
White balance	ATW / ATW-A / AWC / MWB / Indoor / Outdoor / Fluorescent
Auto gain control	HIGH / MID / NORM / MANUAL
Gamma	0.45 / 1 / Mode 1 / Mode 2
Motion detector	On / Off, individual settings possible
Aperture	On (adjustable) / Off
Privacy masking	On / Off, max. 8 masked locations, password lock possible
Alarm	Input
	1
Output	1
Mirror image effect	Horizontally (H), vertically (V), horizontally and vertically (HV)
Character display	On / Off, camera ID max. 16 characters
Communications	Coaxial control with VAC-70 (sold separately)
Operating conditions	Temperature
	-10° to +50°C [+14° to 122°F]
Humidity	Within 90% RH
Power requirement	24V AC ±10% 50 Hz / 12 to 15V DC
Power consumption	6 W
Dimensions (W x H x D)	67 x 54 x 128 mm (2.64 x 2.13 x 5.04 in.)
Weight	420 g (0.93 lb.)

Dimensions

Unit: mm (inch)



Rear panel

- All specifications and features are subject to change without notice.
- All photographs are representations only.

Caution: Please consult the instruction manual to ensure safe and proper operation of the product.



DI Company of Sanyo Electric Co., Ltd. obtained Quality Management System ISO 9001 and Environmental Management System ISO 14001 certifications.

Distributed by:



SANYO Electric Co., Ltd.
www.sanyosecurity.com

©2006 SANYO Printed in Japan '06.1. MA.

SMS104

Wide Dynamic Range Day/Night Camera

- 1/3" interline transfer method CCD
- High performance with minimum required illumination of 0.0008 lx (B/W mode, 40x sensitivity boost, 20 IRE)
- High-resolution of 480 horizontal TV lines
- Built-in DSP circuitry for sharper, clearer colour images



Made in Japan

The product introduced here is manufactured in Japan utilizing advanced technologies and quality control.



VCC-WD8575P Colour (PAL)

DIGITAL

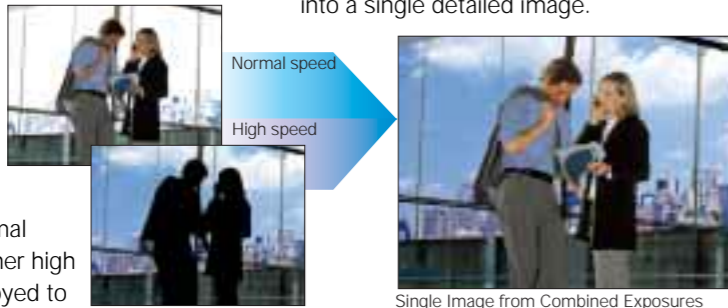
Lenses sold separately.

Surveillance cameras extending the scope of your vision with greater sharpness and detail.

Wide dynamic range for clear images of high-contrast subjects

When using a conventional camera, monitoring of windows, doors and other strongly backlit areas can result in featureless blacks and transparent whites. With the newly developed wide-dynamic-range technology, however, two shutter speeds, one normal (1/50) and the other high speed, are employed to

record clearer images of the subject by extracting highlights and shadows from the two shots and then combining them into a single detailed image.



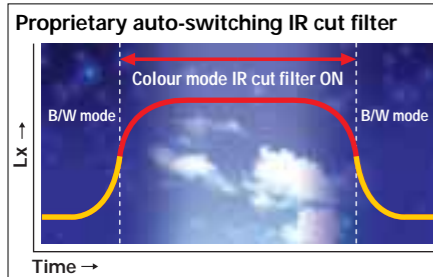
Both day and night use in the same camera

As the camera senses the amount of light in the viewing area, it automatically turns the IR cut filter on and off as required. As more precise colour reproduction is essential in the colour mode, the filter is turned on. In the B/W mode, clear, bright images (to a minimum

required illumination of 0.002 lx with the 40x electronic sensitivity boost or 0.05 lx without) are produced by switching the filter off and increasing light.

Intelligent/selectable colour — B/W switching

The camera's sensitivity to light allows it to automatically switch between colour and B/W mode. The switchover point can be manually set within a range of approx. 1–9 lx. It can also be controlled from an external device. Effectively engineering all the capabilities of two cameras into one, the VCC-WD8575P is an ideal 'all-in-one' cost-effective solution for all surveillance needs.



40x sensitivity boost for minimum illumination of 0.0008 lx

While achieving minimum illumination of 1.0 lx (colour) or 0.05 lx (B/W) at maximum gain, sensitivity can be further enhanced via the 40x electronic boost for 0.01 lx (colour) or 0.0008 lx (B/W) at F1.2 (20 IRE), or 0.025 lx (colour) or 0.002 lx (B/W) lx at F1.2 (50 IRE).

Built-in electronic shutter

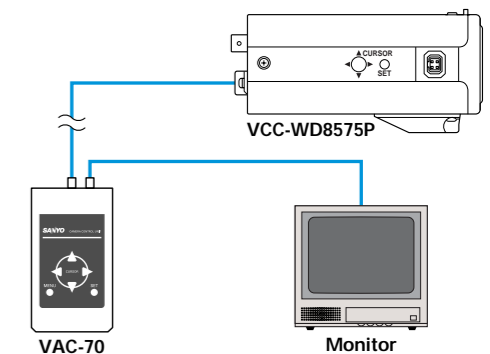
A high-speed electronic shutter that is internally switchable for eight modes using a DIP switch allows adjustment increments from 1/50 to 1/10,000 sec.

The DSP circuitry further improves picture quality

New DSP (digital signal processing) circuitry incorporates the latest algorithm to enable higher precision in surveillance and monitoring by delivering sharp, crisp pictures, 480 TV lines of horizontal resolution, natural-looking colour reproduction, and reduced colour fringing around object edges.

Easy on-screen setup and adjustment of default settings

Camera settings can be setup via an on-screen display menu either on-site using the cursor and set buttons integrated into the side panel of the camera or remotely for greater convenience when the optional VAC-70 (sold separately) is connected.



24 V AC / 12 to 15 V DC Dual power source operation

Input terminals on the VCC-WD8575P's rear panel allow you to run it on either 24 V AC or 12 to 15 V DC power sources depending on the location.

Privacy masking

When there is a house or even an object as small as a window within the camera frame, it is possible to mask the area so that it will not appear on the monitor screen to protect other people's privacy. Up to 8 rectangular masks of arbitrary size can be set per screen. These masked areas can be protected with passwords of 4 digits in length.



Note: Images here may differ from actual camera-generated images.

Switchover point	
3 – 9 lx	HIGH
2 – 6 lx	MID
1 – 3 lx	LOW

Legend: Yellow line = B/W mode, Red line = Colour mode (Approx.)

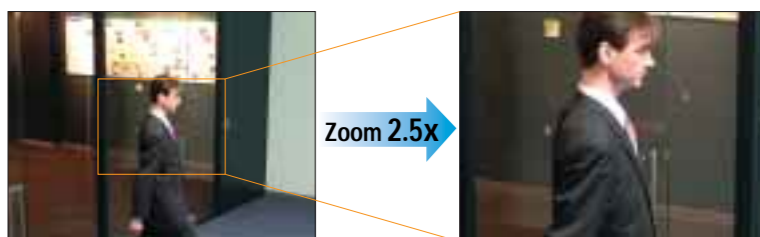
Intelligent motion detector

The intelligent motion detector enables reliable and accurate motion detection by analysing the 'magnitude of movement' and the 'size of object' and other factors from changes in picture brightness. When a moving object is detected, the VCC-WD8575P can send an alarm signal and/or switch to electronic zoom (when selected) of up to 2.5x. Scene elements such as swaying trees and flickering lights, etc., can also be masked to prevent triggering of false alarms.

Electronic zoom

The VCC-WD8575P incorporates a 2.5x electronic zoom. Activated as an alarm zoom when triggered by an external alarm sensor or as a motion zoom when

motion is detected within the field of view, it serves to automatically enlarge surveillance images as a useful function for verification when the unexpected occurs.



Note: Images here may differ from actual camera-generated images.